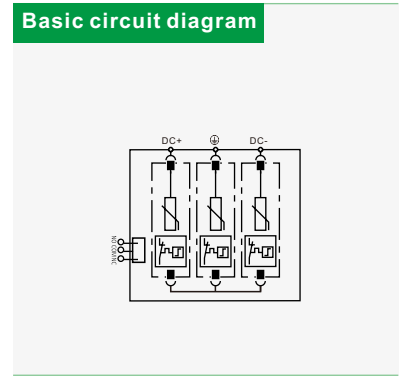
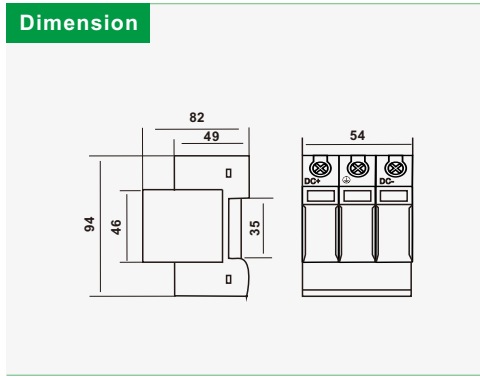


TRS3 Series high modules PV SPD

SPD PV type 1+2–lightning current and surge arresters for PV installation
 Pluggable module, visual fault signalling, module locking

- Varistor surge arrester
- Installation to PV system
- For protection of PV systems on the roofs, where the separating spark-over distance is not kept (connection to LPS)
- Optional remote fault signalling(s)

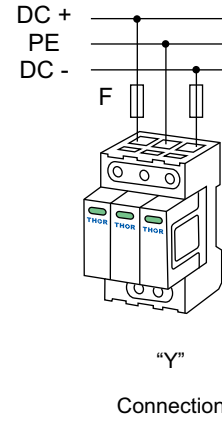
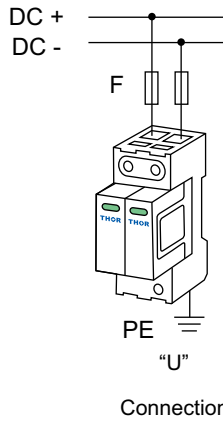
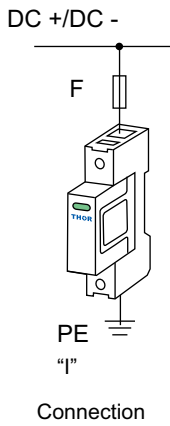


Parameter/Type	TRS3-C40	
PV connection type	Y	
Nominal PV Voltage	U _{ocstc}	1000V DC / 1250V DC
Max. PV Operating Voltage	U _{CPV}	1200V DC / 1500V DC
Lightning impulse current(10/350µs)	I _{imp}	7kA / 5kA
Nominal discharge current (8/20µs)	I _n	20kA
Maximum discharge current (8/20µs)	I _{max}	40kA
Voltage protection level mode +/PE, -/PE	U _p	≤4,5kV / ≤5,0kV
Short-circuit current rating	I _{scpv}	100A
Response time	t _a	< 25ns
Cross-section of connected conductors solid(min/max)		16mm ² /35mm ²
Cross-section of connected conductors stranded(min/max)		16mm ² /35mm ²
Fault indication		red indication field
Remote indication		potential-free change-over contact
Remote indication contacts		250V/0,5A AC, 250V/0,1A DC
Cross-section of remote indication conductors		1,5mm ²
Degree of protection		IP20
Range of operating temperatures (min/ max)		-40°C~+70°C
Humidity range		5%~95%
Mounting		DIN rail 35 mm
According to standard		EN61643-31:2012, IEC61643-31:2011/T1+T2
Remarks		Other U _{CPV} can be customized.(1200VDC, 1500VDC, etc.)

T1+T2 DC SPD

DC SPD Wiring diagram

Photovoltaic system



Connection of DC SPD in networks

