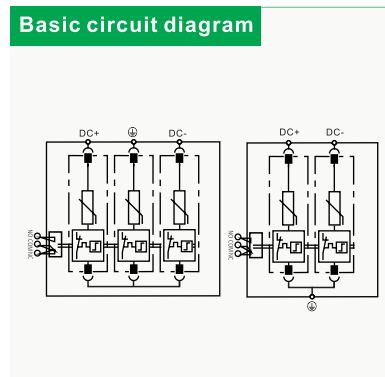
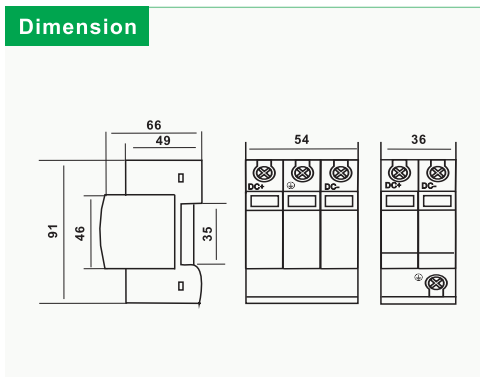


TRS3 Series SPD

SPD PV type 2–surge arrester for PV installation

Pluggable module, visual fault signalling

- Varistor surge arrester
- Installation to PV system
- For protection of PV systems where the separating spark-over distance is kept or without LPS
- Optional remote fault signalling(s)



Parameter/Type	TRS3-C40				
Maximum operating voltage mode +/-, +/-PE, -/PE U_{CPV}	500V DC	600V DC	800V DC	1000V DC	1500V DC
Nominal discharge current (8/20 μ s) I_n	20kA				
Maximum discharge current (8/20 μ s) I_{max}	40kA				
Voltage protection level mode +/-PE, -/PE U_p	$\leq 2,0kV$	$\leq 2,3kV$	$\leq 3,6kV$	$\leq 4,0kV$	$\leq 5,2kV$
Short-circuit current rating I_{scpv}	100A				
Response time t_a	< 25ns				
Cross-section of connected conductors solid(min/max)	16mm ² /35mm ²				
Cross-section of connected conductors stranded(min/max)	16mm ² /35mm ²				
Fault indication	red indication field				
Remote indication	potential-free change-over contact				
Remote indication contacts	250V/0,5A AC, 250V/0,1A DC				
Cross-section of remote indication conductors	1,5mm ²				
Degree of protection	IP20				
Range of operating temperatures (min/ max)	-40°C~ +70°C				
Humidity range	5%~95%				
Mounting	DIN rail 35 mm				
According to standard	EN 61643-31:2012, IEC 61643-31:2011/T2				
Remarks	Other U_{CPV} can be customized.				