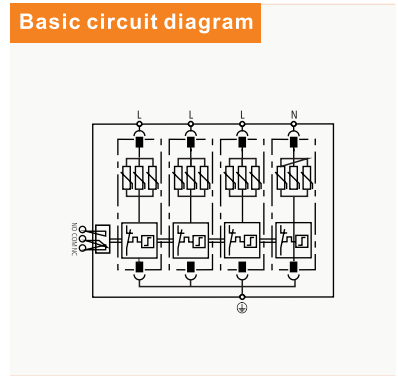
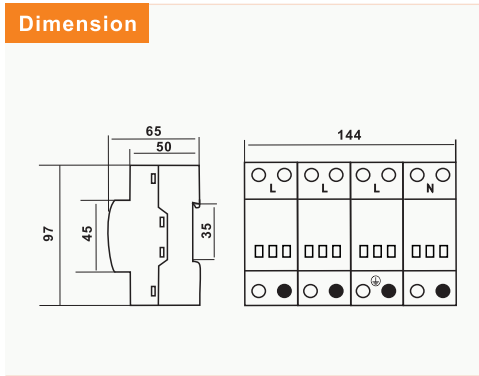


## TRS7 Series SPD

SPD type 2–surge arrester, MOV  
Pluggable module, visual fault signalling

- Varistor surge arrester
- Installation to sub–distribution boards (I<sub>max</sub>:80kA) or main distribution boards (I<sub>max</sub>:100kA/120kA/150kA)
- For protection of installations and equipments against impact of induced overvoltage during a lightning strike or switching overvoltages.
- Optional remote fault signalling(s)



Parameter/Type		TRS7–B80	TRS7–B100	TRS7–B120	TRS7–B150
Nominal voltage	$U_n$	380V AC			
Maximum operating voltage	$U_c$	385V AC			
Nominal discharge current (8/20 $\mu$ s)	$I_n$	40kA	60kA	80kA	100kA
Maximum discharge current (8/20 $\mu$ s)	$I_{max}$	80kA	100kA	120kA	150kA
Voltage protection level	$U_p$	$\leq 2,4kV$	$\leq 2,5kV$	$\leq 3,0kV$	$\leq 3,5kV$
Response time	$t_a$	< 25ns			
Cross–section of connected conductors solid(min/max)		16mm <sup>2</sup> /35mm <sup>2</sup>			
Cross–section of connected conductors stranded(min/max)		16mm <sup>2</sup> /35mm <sup>2</sup>			
Fault indication		red indication field			
Remote indication		potential–free change–over contact			
remote indication contacts		250V/0,5A AC, 250V/0,1A DC			
Cross–section of remote indication conductors		1,5mm <sup>2</sup>			
Degree of protection		IP20			
Range of operating temperatures (min/ max)		–40°C~ +70°C			
Humidity range		5%~95%			
Mounting		DIN rail 35 mm			
According to standard		EN 61643–11:2012, IEC 61643–11:2011/T2			
Remarks		Other $U_c$ can be customized. (420VAC, 385VAC, 320VAC, etc.)			

T2 AC SPD